

HI-SCAN™ 6040C

HEIMANN X-RAY TECHNOLOGY



Feature Highlights

- High reliability
- Best-in-class image quality
- Easy to operate
- Future-proof electronics and software

HI-SCAN 6040C is designed to detect prohibited items and threats by screening bags and packages at security checkpoints. It is ideally suited for public buildings such as prisons, courthouses, embassies, banks and hotels, where its contemporary design and small footprint fit well into any entrance environment.

HI-SCAN 6040C is the result of Smiths Detection's preeminence in X-ray technology: more than 40 years of experience in delivering engineering excellence to meet the highest security standards with proven product reliability.

HI-SCAN 6040C is equipped with a 160kV generator, known for producing high quality X-ray images to make it easy for operators to identify potential threats quickly, while minimizing misinterpretations. New smart image display features such as **Organic Only Plus**, **Organic Stripping Plus** and **Organic Enhancement** give outstanding discrimination between organic and inorganic materials on screen - useful for reliable and rapid detection of threat items such as explosive devices, drugs, food or money.

Additionally, a new **Optimized Background Contrast** function significantly enhances the recognisability of objects.

Smart system monitoring features such as **Power-on Self-Test** during start-up and specific diagnosis tools such as **Real-time Background Diagnosis** and **Real-time System Feedback**, during operation, provide instant information about the system's status and ensure easy operation. These features support the operator or technician by providing critical system diagnostics, helping to expedite maintenance and service.

The new HiTraX 3 electronics and software provide a reliable platform for future upgrades to meet changing security requirements.

HI-SCAN 6040C can easily be used in combination with other security technologies from Smiths Detection, including people screening and trace detection of narcotics or explosives.

HI-SCAN 6040C is backed by Smiths Detection's global service network of field service locations and engineers to ensure optimum system performance 24/7/365 days a year.

Technical Data HI-SCAN 6040C

General Specifications

Tunnel dimensions	620 (W) x 420 (H) [mm] • 24.4" (W) x 16.5" (H)
Max. object size	615 (W) x 410 (H) [mm] • 24.2" (W) x 16.1" (H)
Conveyor height ¹⁾	approx. 800 mm [31.5"]
Conveyor speed with 50 Hz / 60 Hz mains frequency	standard: 0.2/0.24 [m/s]
Max. conveyor load even distributed ²⁾ over the whole conveyor	165 kg
Resolution (wire detectability) ³⁾	standard: 39 AWG (0.09 mm Cu) • typical: 40 AWG (0.08 mm Cu)
Penetration (steel) ³⁾	standard: 35 mm • typical: 37 mm
External dose rate	<1.0 µSv/h (0.1 mrem)
Film safety	guaranteed up to ISO 1600 (33 DIN)
Duty cycle	100 %, no warm-up procedure required

X-ray Generator

Anode voltage • cooling	160 kV cp • hermetically sealed oil bath
Beam direction	diagonal

Image Generating System

X-ray converter	L-shaped detector line
Grey levels stored	4096
Image presentation	B/W, color
Digital video memory	1280 x 1024 / 24 bit
Image evaluation functions	VARI-MAT, O ² PLUS, OS PLUS, HIGH, Organic Enhancement, HI-SPOT, SEN, XPlore, HDA, Opti-Zoom, electronic Zoom: stepless enlargement up to 256x and scaling down up to 2x, Optimized Background Contrast Mode
Monitor	Flat Panel LCD Monitor

Additional Features

Features	display of date/time, software counters for: objects, alarms, operating hours, X-ray On hours, user ID-number, luggage marking system (acoustic), display of operating mode, REVIEW-feature of last 8 images, programmable priority keys, standard network interface, Automatic return mode, USB 3.0 interface, Printer support, IMS (Image Store System - stores up to 20,000 images), Two Interlock switches
System Diagnostics Features	Power-on Self-Test (POST), Real-time Background Diagnosis (RBD), Real-time System Feedback (RSF)
Options	X-ACT, HI-TIP, SD Training System, Extended Image Storage of 500,000 images (HDD), Full Reverse Mode
Accessories	Keyboard Holder, Passive In-/Output Roller conveyors, 23" Monitor, Tunnel extensions, Monitor Theft Protection, Mobile Heavy Duty Rollers, Various Test Bags and Cases

Installation Data

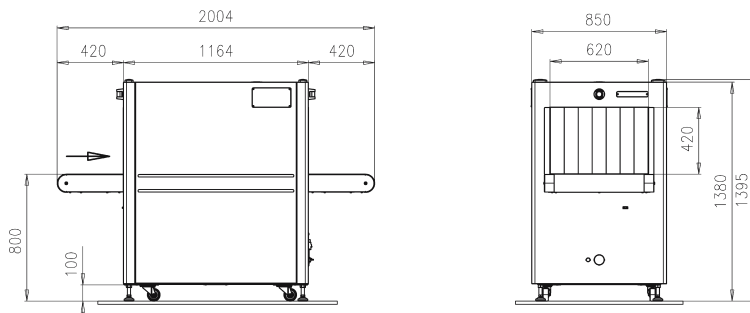
X-ray leakage	meets all applicable laws and regulations with respect to X-ray emitting devices
CE labelling/directives	in compliance with directives 2004/108/EC, 2006/42/EC, 2006/95/EC
Sound pressure	< 65 dB(A)
Operating-/storage temperature	0° - 40°C / -20°C - +60°C
Humidity	5% - 95% (not condensing)
Power supply	220 - 240 VAC -15% / +10% • 50 Hz / 60 Hz ± 3 Hz 110 - 120 VAC -15% / +10% • 50 Hz / 60 Hz ± 3 Hz
Power consumption	approx. 0.8 kVA
Protection class system/keyboard	IP 20 / IP 43
Dimensions • weight ⁴⁾	2004 (L) x 850 (W) x 1395 (H) [mm] • approx. 460 kg 78.9" (L) x 33.5" (W) x 54.91" (H) • approx. 1014 lbs
Mechanical construction	steel construction with steel panels, mounted on roller castors standard color(s): Silver matt / RAL Bl 11/W1 F12

¹⁾ approx. values (adjustable)

²⁾ measured at ambient temperature of 20° and 230V/120V nominal voltage

³⁾ proprietary quality management test piece: steel step wedge, CU wires, belt speed 0.2 m/s

⁴⁾ without control desk, keyboard, monitor(s) etc.



For product information, sales or service, please go to www.smithsdetection.com/locations

Smiths Heimann GmbH, Im Herzen 4, 65205 Wiesbaden, Germany
Modifications reserved. 95595530 22/10/2015 © Smiths Detection Group Ltd. - In some cases, the figures contain options
HI-SCAN is a trademark of Smiths Detection Group Ltd.

smiths detection